

THIS DRAWING IS UNPUBLISHED.

RELEASED FOR PUBLICATION

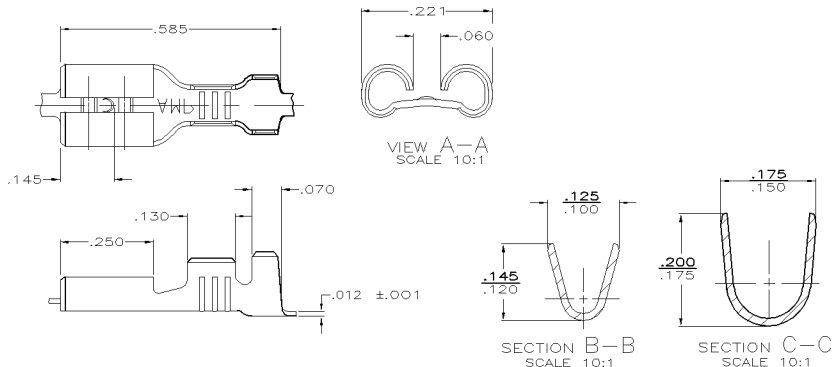
© COPYRIGHT BY TYCO ELECTRONICS CORPORATION. ALL RIGHTS RESERVED.

LOC
AFDIST
50

REVISIONS

| REV | DATE | DESCRIPTION | BY | CHK | APP'D |
|-----|------|----------------------|--------|-----|-------|
| D | | REACT -2 PER 0473-93 | 1/4/84 | JR | PD |

1 CONTINUOUS STRIP ON REELS.



| | | | | |
|-----------------|-------------|-----------|----------------------|----------|
| TIN .000080 MIN | .090-.130 | 20-16 | .032 | 61758-2 |
| - | .090-.130 | 20-16 | .032 | 61758-1 |
| FINISH | INSUL RANGE | WIRE SIZE | MATING TAB THK ±.001 | PART NO. |

THIS DRAWING IS A CONTROLLED DOCUMENT.

DR
JR RUTH

2/28/90

tyco
ElectronicsTyco Electronics Corporation
Harrisburg, PA 17105OTHER SPECIFICATIONS:
TOLERANCES UNLESS OTHERWISE SPECIFIED:DR
MS FEHER

2/28/90

NAME

RECEPTACLE, FASTON,
.187 SERIES

| DIMENSIONS: INCHES | TOLERANCES UNLESS OTHERWISE SPECIFIED: |
|-----------------------|--|
| | Ø PLC ± .- |
| | 1 PLC ± .- |
| | 2 PLC ± .- |
| | 3 PLC ± .010 |
| | 4 PLC ± .- |
| | 5 PLC ± .- |

APR
C MEYERS

2/28/90

PART NO.

PRODUCT SPEC

-

APPLICATION SPEC

-

MATERIAL

#4H BRASS

FINISH

SEE TABLE

WEIGHT

-

SIZE

CASE CODE

DRAWING NO

A3 00779

C-61758

RESTRICTED TO

CUSTOMER DRAWING

SCALE

6:1

SHEET

1 OF 1

REV

D